



# 100BASE-T1 MEDIACONVERTER BCM

---

## **USER MANUAL**

**November 2018**

## CONTENT

1	GENERAL INFORMATION .....	3
1.1	Functionality and Features of the 100BASE-T1 MediaConverter_BCM .....	3
1.2	Warranty and Safety Information .....	4
1.3	Declaration of conformity .....	5
2	HARDWARE INTERFACES .....	6
2.1	Connectors .....	6
2.1.1	Black MQS Connector .....	6
2.1.2	RJ45 Ethernet connectors .....	7
2.2	Other Interfaces .....	8
2.2.1	DIP-Switches .....	8
2.2.2	Status LEDs .....	8
3	CONFIGURATION OF THE DEVICE.....	9
4	100BASE-T1 FILTER.....	10
5	ADDITIONAL INFORMATION.....	11
6	LIST OF FIGURES.....	12
7	CHANGELOG .....	13
8	CONTACT.....	14

## 1 GENERAL INFORMATION

### 1.1 Functionality and Features of the 100BASE-T1 MediaConverter\_BCM



Figure 1–1: 100BASE-T1 MediaConverter\_BCM

The **Technica Engineering 100BASE-T1 MediaConverter\_BCM** transmits data frames directly from the physical layer BroadR-Reach (100BASE-T1) to Fast Ethernet (100BASE-TX) with constant delay time of 2.0 $\mu$ s.

#### Features:

- 1 port BroadR-Reach (100BASE-T1) Ethernet with Broadcom BCM89810 Transceiver
- 1 port Fast Ethernet (100BASE-TX)
- Automotive Tyco MQS Connector for 100BASE-T1 and power supply
- Robust steel case
- DIP Switches for easy configuration

## General Information:

---

Power requirement:	8 to 16 Volt DC (nominal 12 Volt DC)
Power consumption:	2 Watt
Size:	92 x 63 x 30 mm
Weight:	0,2 kg
International Protection:	IP 2 0
Operating temperature:	-40° to +80 °Celsius

---

## LINKS:

The User can download the latest firmware and documentation for the 100BASE-T1 MediaConvert\_BCM here:

[https://technica-engineering.de/produkt/100base-t1-mediaconverter\\_bcm/](https://technica-engineering.de/produkt/100base-t1-mediaconverter_bcm/)

## 1.2 Warranty and Safety Information



Before operating the device, read this manual thoroughly and retain it for your reference.

The latest documentation for the 100BASE-T1 MediaConverter\_BCM can be downloaded here:

[https://technica-engineering.de/produkt/100base-t1-mediaconverter\\_bcm/](https://technica-engineering.de/produkt/100base-t1-mediaconverter_bcm/)



Use the device only as described in this manual.

Use only in dry conditions.

Do not apply power to a damaged device.



Do not open the device. Otherwise warranty will be lost.



This device is designed for engineering purpose only.

Special care has to be taken for operation.

Do not use this device in a series production car.

As this device is likely to be used under rough conditions, warranty is limited to 1 year.

Manufacturer liability for damage caused by using the device is excluded.

## 1.3 Declaration of conformity


<b><u>EG-Konformitätserklärung</u></b>	
<b>gemäß der EG-Richtlinie 2004/108/EG (elektromagnetische Verträglichkeit) vom 15. Dezember 2004</b>	
<p>Hiermit erklären wir, dass das nachstehend bezeichnete Gerät in seiner Konzeption und Bauart sowie in der von uns in Verkehr gebrachten Ausführung den grundlegenden Sicherheits- und Gesundheitsanforderungen der EG-Richtlinie 2004/108/EG entspricht. Bei einer mit uns nicht abgestimmten Änderung des Gerätes verliert diese Erklärung ihre Gültigkeit.</p>	
<b>Hersteller:</b>	Technica Engineering Leopoldstr. 236 80807 München
<b>Bevollmächtigter:</b>	Joseba Rodriguez
<b>Beschreibung des Gerätes:</b>	100BASE-T1 MediaConverter_BCM
<b>Datum der Erklärung:</b>	01.08.2016
<b>Name des Unterzeichners:</b>	Joseba Rodriguez
<b>Unterschrift:</b>	 .....

Figure 1–2: Declaration of conformity

## 2 HARDWARE INTERFACES

### 2.1 Connectors

On the label on top of the device you can see an overview about all HW-Interfaces of the 100BASE-T1 MediaConverter\_BCM.

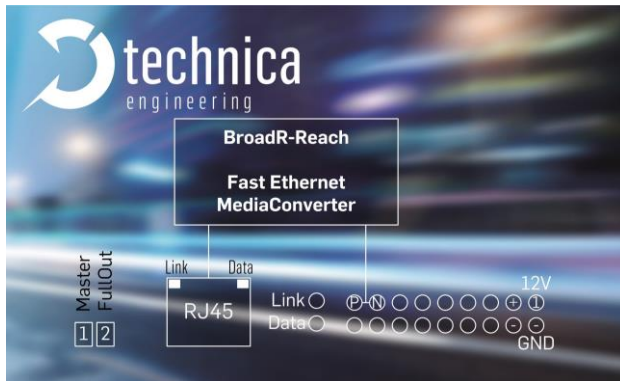


Figure 2–1: Label of 100BASE-T1 MediaConverter\_BCM with pinning information

#### 2.1.1 Black MQS Connector

The pinning of the ECU connectors is listed on the label on top of the device as well. (See Figure 2–1).

The Connector color is black.

The power supply for the device is supplied by pin 1 (12 Volt) and pin 10 (Ground)

**Warning:** If you apply a voltage higher than 18 Volt, the device will be damaged!

The Tyco Electronics (TE) Micro Quad Lock System (MQS) is used.




Name	Picture	Part Number
Tyco, MQS Abdeckkappe 2x9 Pol, black Alternative		1-967416-1 1-1355350-1
Tyco, MQS Buchsengehäuse 2x9 Pol Alternative		965778-1 962108-2
Tyco crimp contact		928999-1

Table 2–1: Parts of black MQS connector

**Note:** You can use the official Tyco tool for these crimp contacts. A cheap variant is the crimp tool for “PSK” contacts.

Pin	Function	Pin	Function
1	Battery +12 Volt Input	10	Power Ground
2	reserved	11	reserved
3	n.c.	12	n.c.
4	n.c.	13	n.c.
5	n.c.	14	n.c.
6	n.c.	15	n.c.
7	n.c.	16	n.c.
8	100BASE-T1 port, negative	17	n.c.
9	100BASE-T1 port, positive	18	n.c.

Table 2–2: Pinning of black MQS connector

## 2.1.2 RJ45 Ethernet connectors

There is one RJ45 Standard Ethernet connector for Fast Ethernet (100BASE-TX).

## 2.2 Other Interfaces

### 2.2.1 DIP-Switches

The 100BASE-T1 MediaConverter\_BCM has two DIP-Switches for configuration (see Chapter 3).

### 2.2.2 Status LEDs

The 100BASE-T1MediaConverter\_BCM has two status LEDs at the frontside of the case for the 100BASE-T1 Port.

**Upper LED:**

Green Color. It is lit when there is a linkup on the 100BASE-T1 port.

**Lower LED:**

Yellow Color. It is toggling in alternation with the green LED when there is communication.

**Note:** There is a bug in the used BroadR-Reach PHY. When the BR Plus and Minus lines are swapped, and the 100BASE-T1 port is set to Slave then the Link LED is lit, but there is no data transmission possible. So please connect the 100BASE-T1 lines correctly.



### 3 CONFIGURATION OF THE DEVICE

The 100BASE-T1 MediaConverter is configured by two **DIP-Switches** on the front of the device.

DIP-Switch	Status	Description
1	ON (up)	100BASE-T1 Port is set to Master
	OFF (down)	100BASE-T1 Port is set to Slave
2	ON (up)	100BASE-T1 Port is set to FullOut
	OFF (down)	100BASE-T1 Port is set to HalfOut

Table 3–1: Configuration of DIP-Switches

**Note:** In a 100BASE-T1 Link one device has to be set as Master, the other has to be set as Slave.

**Note:** The 100BASE-T1 MediaConverter\_BCM should always be set to FullOut. HalfOut was a former configuration for EMC optimization but it will cause an instable link.

## 4 100BASE-T1 FILTER

There are different BroadReach Filter in different Hardware versions of the 100BASE-T1 MediaConverter\_BCM:

The following BR-Filter is used in the Hardware version 3.0:

In Version 3.0 the Würth CMC 510010003 is used for L32.

In Version 3.0a the TDK CMC ACT45L - 2 01 - 2P is used for L32.

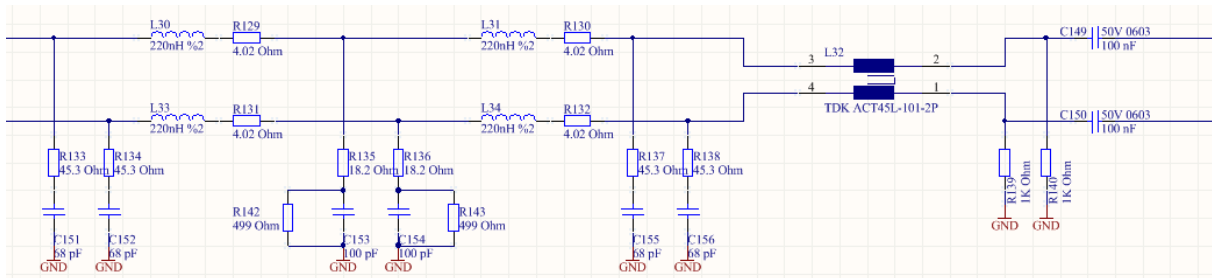


Figure 4–1: BR-Filter for HW v3.0 and v3.0a

The following BR-Filter is used in the Hardware version 2.0:

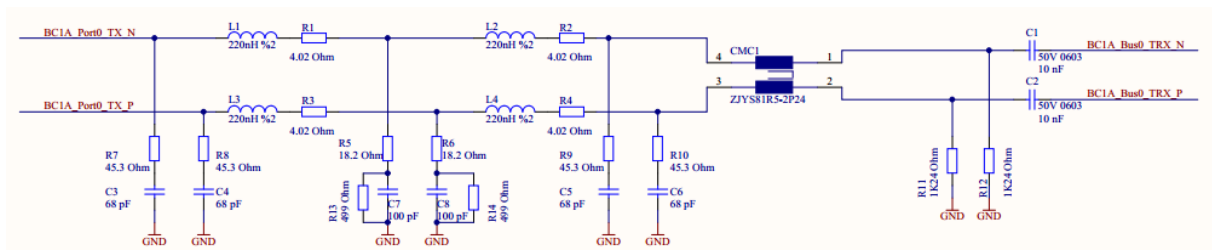


Figure 4–2: BR-Filter for HW v2.0

All Filter versions are compatible, and it will be possible to set up a stable link. It is recommended to use the latest filter version.

## 5 ADDITIONAL INFORMATION

- The 100BASE-T1 MediaConverter\_BCM is optimized for automotive use. The maximum cable length for 100BASE-T1 segments is limited to 15 meters

## 6 LIST OF FIGURES

Figure 1–1: 100BASE-T1 MediaConverter_BCM .....	3
Figure 1–2: Declaration of conformity .....	5
Figure 2–1: Label of 100BASE-T1 MediaConverter_BCM with pinning information ....	6
Figure 4–1: BR-Filter for HW v3.0 and v3.0a .....	10
Figure 4–2: BR-Filter for HW v2.0.....	10

## 7 CHANGELOG

Version	Chapter	Description	Date
1.0	All	First release	
2.0	All	Rework of design and update of all information	21.09.2018

## 8 CONTACT

If you have any questions regarding this product, please feel free to contact us:

Technica Engineering GmbH  
Leopoldstr. 236  
80807 München  
Germany

Fax: +49-89-34290265

[Info@technica-engineering.de](mailto:Info@technica-engineering.de)

[www.technica-engineering.de](http://www.technica-engineering.de)